



Monolithic CMOS Analog Multiplexers

MX7506/MX7507

General Description

Maxim's MX7506 and MX7507 are monolithic CMOS analog multiplexers. The MX7506 is a single 16 channel (1 of 16) multiplexer, and the MX7507 is a differential 8 channel (2 of 16) multiplexer.

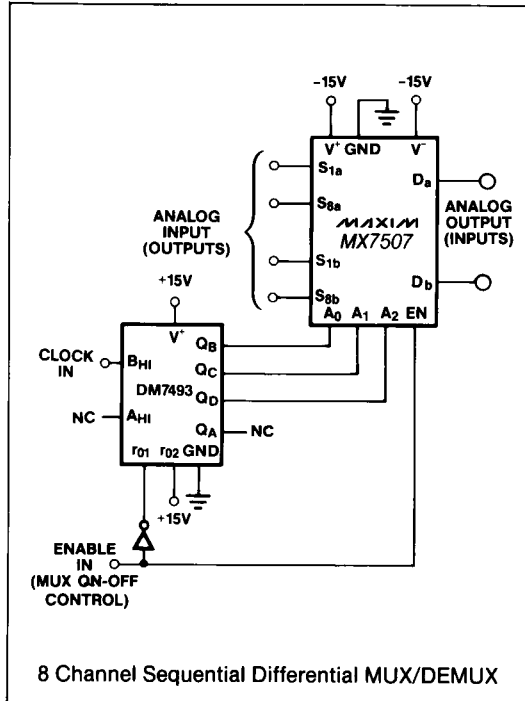
Both devices feature break-before-make switching. Maxim guarantees that these multiplexers will not latch-up if the power supplies are turned off with the input signals still present, as long as absolute maximum ratings are not violated. The multiplexers operate over a wide range of power supplies from $\pm 4.5V$ to $\pm 18V$.

Compared to the original manufacturer's devices, Maxim's MX7506 and MX7507 consume significantly less power, making them ideal for portable equipment.

Applications

- Control Systems
- Data Logging Systems
- Aircraft Heads Up Displays
- Data Acquisition Systems
- Signal Routing

Typical Operating Circuit



Features

- ◆ Improved 2nd Source!
- ◆ Drop in Replacement for Analog Devices
- ◆ Operable with $\pm 4.5V$ to $\pm 18V$ Supplies
- ◆ Symmetrical, Bi-Directional Operation
- ◆ Logic and Enable inputs, TTL and CMOS Compatible
- ◆ Latch-Up Proof Construction
- ◆ Monolithic, Low-Power CMOS Design

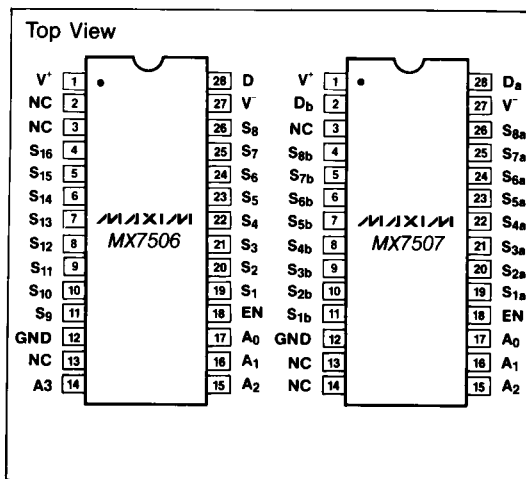
Ordering Information

PART	TEMP. RANGE	PACKAGE*
MX7506JN	0°C to +70°C	28 Lead Plastic DIP
MX7506KN	0°C to +70°C	28 Lead Plastic DIP
MX7506JQ	-25°C to +85°C	28 Lead CERDIP
MX7506KQ	-25°C to +85°C	28 Lead CERDIP
MX7506SQ	-55°C to +125°C	28 Lead CERDIP
MX7506TQ	-55°C to +125°C	28 Lead CERDIP
MX7507JN	0°C to +70°C	28 Lead Plastic DIP
MX7507KN	0°C to +70°C	28 Lead Plastic DIP
MX7507JQ	-25°C to +85°C	28 Lead CERDIP
MX7507KQ	-25°C to +85°C	28 Lead CERDIP
MX7507SQ	-55°C to +125°C	28 Lead CERDIP
MX7507TQ	-55°C to +125°C	28 Lead CERDIP

For Dice, Plastic Chip Carrier, Ceramic Leadless Chip Carrier and Ceramic Sidebraze DIP, contact factory.

*Maxim reserves the right to ship Ceramic Packages in lieu of CERDIP Packages.

Pin Configurations



Maxim Integrated Products 1

For free samples & the latest literature: <http://www.maxim-ic.com>, or phone 1-800-998-8800

Monolithic CMOS Analog Multiplexers

ABSOLUTE MAXIMUM RATINGS (T_A = 25°C unless otherwise noted.)

V _{DD} -GND	+17V	Power Dissipation (Any Package)	
V _{SS} -GND	-17V	Up to +50°C	1000mW
V Between Any Switch Terminals (Note 1)	25V	Derates above +50°C by	10mW/°C
Digital Input Voltage Range	V _{DD} to GND	Operating Temperature	
Overvoltage at V _{OUT} (V _S)	V _{SS} , V _{DD}	Commercial (JN, KN Versions)	0°C to +70°C
Switch Current (I _S , Continuous One Channel)	20mA	Industrial (JQ, KQ Versions)	-25°C to +85°C
Switch Current (I _S , Surge One Channel)		Extended (SQ, TQ Versions)	-55°C to +125°C
1ms Duration, 10% Duty Cycle	35mA	Storage Temperature	-65°C to +150°C

Note 1: Do not apply voltages higher than V_{DD} and V_{SS} to any other terminal, especially when V_{SS} = V_{DD} = 0V all other pins should be at 0V.

Note 2: The digital control inputs are diode protected; however, permanent damage may occur on unconnected units under high energy electrostatic fields. Keep unused units in conductive foam at all times.

Stresses above those listed under "Absolute Maximum Ratings" may cause permanent damage to the device. These are stress ratings only and functional operation of the device at these or any other conditions above those indicated in the operational sections of the specifications is not implied. Exposure to absolute maximum rating conditions for extended periods may affect device reliability.

ELECTRICAL CHARACTERISTICS

(V⁺ = 15V, V⁻ = -15V, GND = 0V, unless otherwise noted.)

PARAMETER	SYMBOL	VERSION (Note 3)	SWITCH CONDITION	TEST CONDITIONS	+25°C			OVER SPECIFIED TEMP. RANGE			UNITS
					MIN	TYP	MAX	MIN	TYP	MAX	
ANALOG SWITCH											
Drain-Source ON Resistance	r _{DS(ON)}	J, K S, T	ON ON	V _S = -10V to +10V, I _S = 1mA	300	450		550			Ω
	r _{DS(ON)} vs. V _S	All	ON		15			500			%
Tempco of ON Resistance	r _{DS(ON)} vs. Temp.	All	ON	V _S = 0V, I _S = 1mA	0.5						%/°C
Difference in ON Resistance Between Channels	Δr _{DS(ON)} Between Switches	All	ON	V _S = 0V, I _S = 1mA	4						%
	Δr _{DS(ON)} vs. Temp. Between Switches	All	ON		0.05						%/°C
Source OFF Leakage Current	I _{S(OFF)}	J, K S, T	OFF OFF	V _S = -10V, V _D = +10V and V _S = +10V, V _D = -10V "Enable Low"	0.05	5		50			nA
Drain OFF Leakage Current	I _{D(OFF)}	J, K S, T	OFF OFF		0.3	20		500			
		J, K S, T	OFF OFF		0.3	10		500			
Channel ON Leakage Current I _{D(ON)} -I _S (Any Switch ON)	I _{D(ON)}	J, K S, T	ON ON		V _S = 0	0.3	20		500		
		J, K S, T	ON ON	0.3		10		250			
					0.3	5		250			

Monolithic CMOS Analog Multiplexers

MX7506/MX7507

ELECTRICAL CHARACTERISTICS (Continued)

(V⁺ = 15V, V⁻ = -15V, GND = 0V, unless otherwise noted.)

PARAMETER	SYMBOL	VERSION (Note 3)	SWITCH CONDITION	TEST CONDITIONS	+25°C			OVER SPECIFIED TEMP. RANGE			UNITS
					MIN	TYP	MAX	MIN	TYP	MAX	
DIGITAL CONTROL											
Address Input Threshold (Low)	V _{INL}								0.8		V
Address Input Threshold (High)	V _{INH}	J, S K, T		(Note 4)				3.0 2.4			V
Input Logic Current	I _{INL} or I _{INH}	All				10			30		μA
Address Input Capacitance	C _{IN}	All				3					pF
DYNAMIC CHARACTERISTICS (Note 5)											
Switching Time of Multiplexers	t _{TRANSITION}	J, S K, T		V _{IN} : 0 to 3.0V		700 700 1000					ns
Break-Before-Make Interval	t _{OPEN}	All				100					
Enable Turn-ON Time	t _{ON} (EN)	J, S K, T		V _{EN} : 0 to 3.0V		0.8 1.5					μs
Enable Turn-OFF Time	t _{OFF} (EN)	J, S K, T				0.8 1					
OFF Isolation	OIRR	All		V _{EN} = 0, R _L = 200Ω, C _L = 3.0pF, V _S = 3.0V _{RMS} , f = 50kHz		70					dB
Source OFF Capacitance	C _{S(OFF)}	All	OFF			5					pF
Drain OFF Capacitance	C _{D(OFF)}	All	OFF			40					
		All	OFF			20					
Source to Drain Capacitance	C _{S-D}	All	OFF			0.5					
Capacitance Between Any Two Switches	C _{SS}	All	OFF			0.5					
POWER SUPPLY											
Positive Supply Current	I ⁺	J, K S, T	OFF OFF	All Digital Inputs Low		0.05 0.5 0.05 0.5			1		mA
Negative Supply Current	I ⁻	J, K S, T	OFF OFF			0.05 0.3 0.05 0.3			0.6		
Positive Supply Current	I ⁺	J, K S, T	ON ON	All Digital Inputs High		0.3 0.5 0.3 0.5			1		mA
Negative Supply Current	I ⁻	J, K S, T	ON ON			0.05 0.3 0.05 0.3			0.6		

Note 3: JN and KN versions specified for 0°C to +70°C; JQ and KQ versions for -25°C to +85°C; SQ and TQ versions for -55°C to +125°C.

Note 4: A pullup resistor, typically 1-2kΩ is required to make the J and S versions compatible with TTL/DTL. The maximum value is determined by the output leakage current of the driver gate when in the high state.

Note 5: AC parameters are sample tested to ensure conformance to specifications.

Monolithic CMOS Analog Multiplexers

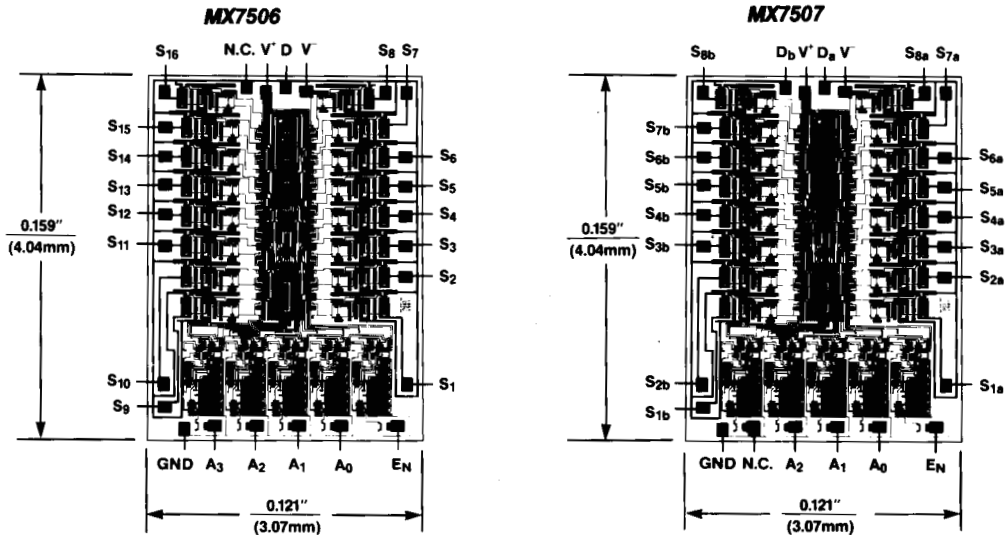
Truth Tables

A ₃	A ₂	A ₁	A ₀	EN	ON SWITCH
X	X	X	X	0	NONE
0	0	0	0	1	1
0	0	0	1	1	2
0	0	1	0	1	3
0	0	1	1	1	4
0	1	0	0	1	5
0	1	0	1	1	6
0	1	1	0	1	7
0	1	1	1	1	8
1	0	0	0	1	9
1	0	0	1	1	10
1	0	1	0	1	11
1	0	1	1	1	12
1	1	0	0	1	13
1	1	0	1	1	14
1	1	1	0	1	15
1	1	1	1	1	16

A ₂	A ₁	A ₀	EN	ON SWITCH
X	X	X	0	NONE
0	0	0	1	1
0	0	1	1	2
0	1	0	1	3
0	1	1	1	4
1	0	0	1	5
1	0	1	1	6
1	1	0	1	7
1	1	1	1	8

Logic "0" = V_{AL} ≤ 0.8V Logic "1" = V_{AH} ≥ 2.4V "0" = DON'T CARE

Chip Topography



Maxim cannot assume responsibility for use of any circuitry other than circuitry entirely embodied in a Maxim product. No circuit patent licenses are implied. Maxim reserves the right to change the circuitry and specifications without notice at any time.

4 Maxim Integrated Products, 120 San Gabriel Drive, Sunnyvale, CA 94086 (408) 737-7600